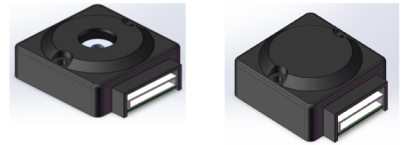


RR28 Series Reflective Encoders

Product Description

RR28 series reflective encoder with PCBA and integrated housing design, with code disc, can output three channels of differential signals ranging from 500~16000CPR.

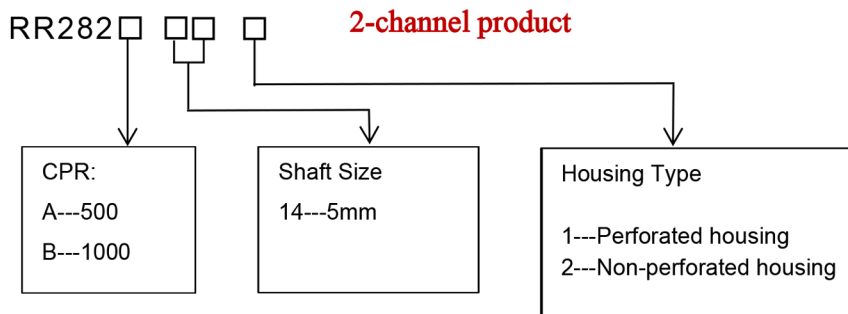
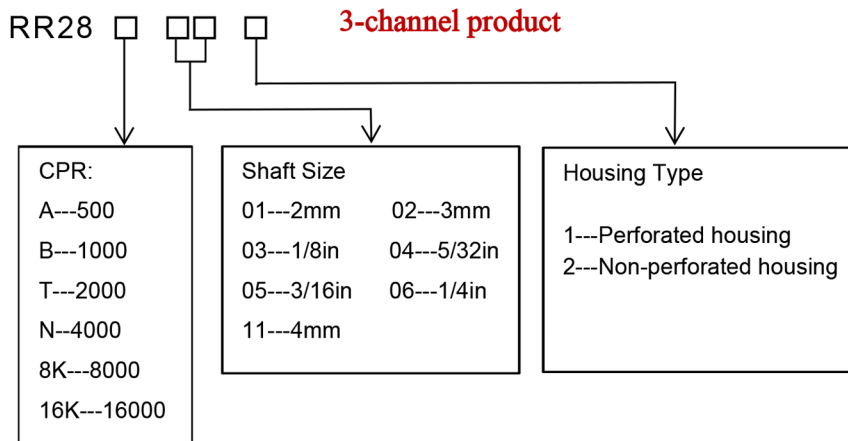


Z signal can be selected from 90°, 180° and 360°, without special instructions, the standard product is 90°.

RR282 series can output two channels of 1000-count differential signals.

This product is suitable for small size DC motor, stepping motor and servo motor.

Product Model

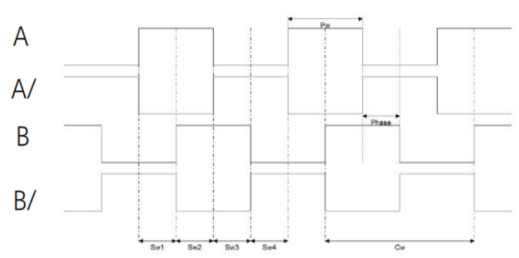
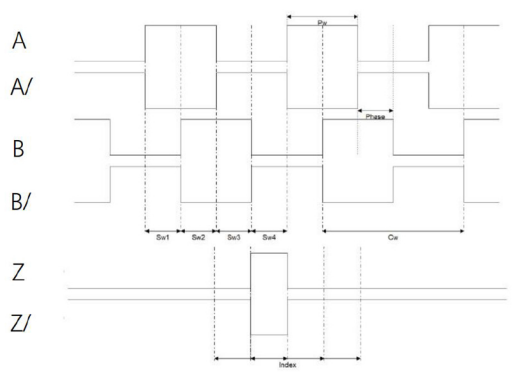


Technical indicators

Supply voltage	3-5V
Maximum speed	11000RPM
Output Method	A、A/、B、B/、Z、Z/
Operating Temperature	-40 °C ~+85 °C

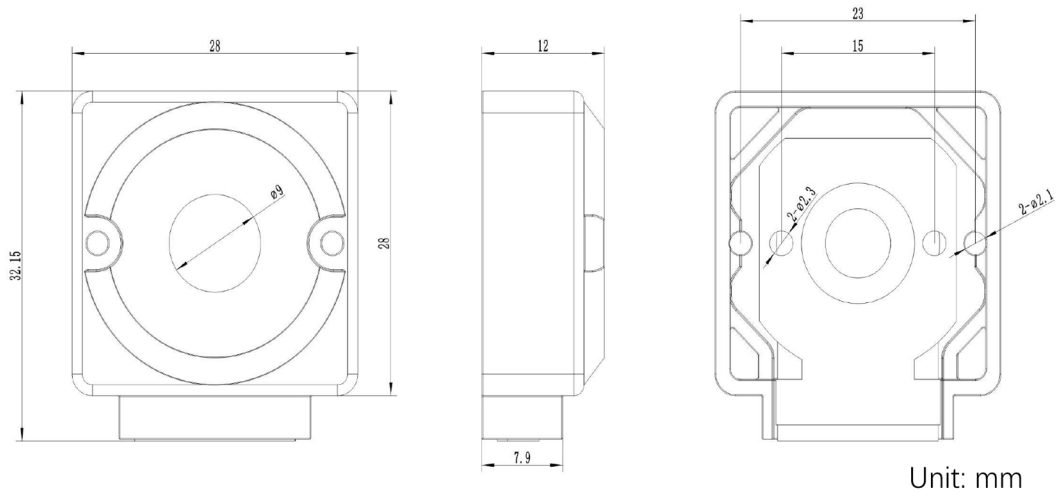
Supply voltage	3-5V
Maximum speed	11000RPM
Output Method	A、A/、B、B/
Operating Temperature	-40 °C ~+85 °C

Waveform Diagram

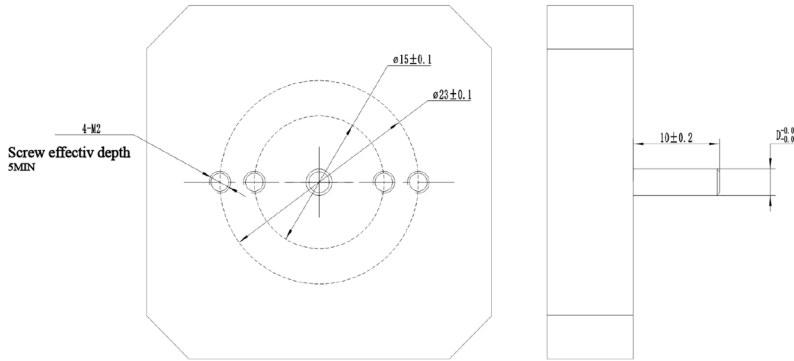


Waveform during clockwise (CW) rotation

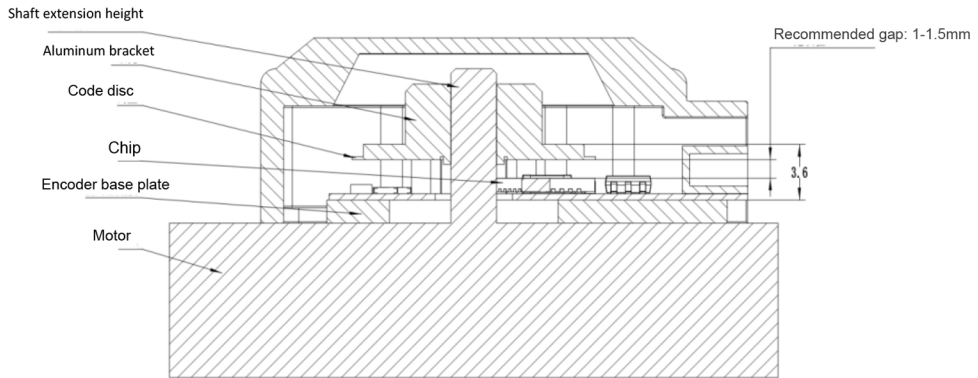
Mechanical Dimension Drawing



Dimensions Of Motor End Face and outgoing shaft length

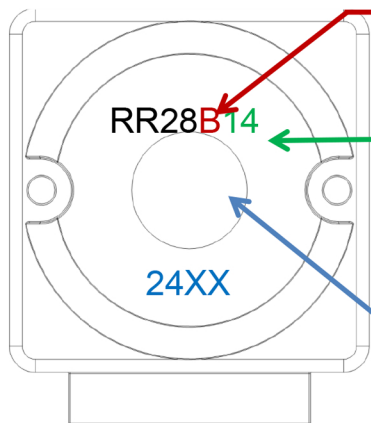


GAP recommendation value: 1.0-1.5mm



Motor shaft axial play ≤ 0.1 mm

Model Print



Connector model: GH1.25-1x10P

1	2	3	4	5	6	7	8	9	10
			B-	B+	A-	A+	GND	5V	

The sixth and seventh digits represent the shaft diameter size:
 01--2mm 02--3mm
 03--1/8in 04--5/32in
 05--3/16in 06--1/4in
 11-4mm

Fifth delegate CPR:

A--500 16K--16000
 B--1000
 T--2000
 N--4000
 8K--8000

24 represent year 2024